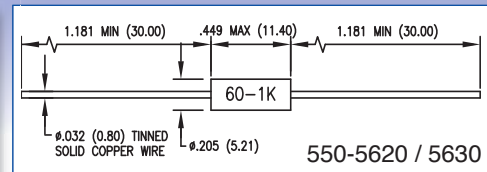
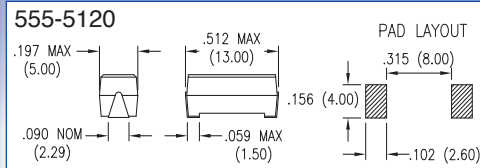
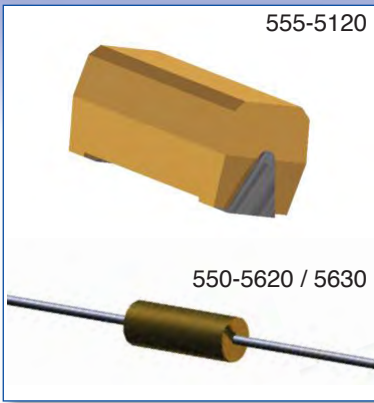


RFID TRANSPONDER COIL

Dimensions in inches (mm)



Packaging	
-00	Loose
-36	Tape (1,000 per reel)
Inductance Tolerance Coded Dash Numbers	
G	±2%
J	±5%
K	±10%
	To Order Standard To Order

How to order code

55X - XXXX - XX - XX - XX

Basic Part No. | Packaging | Inductance Tolerance | Inductance Code

Basic Part No.	Inductance	"Q" min.	Test Frequency (KHz)	SRF min. (KHz)	DCR Max. (Ω)	
555-5120	-29-1 *	0.29mH	20	125	1000	8.50
555-5120	-34-1	0.34mH	20	125	1000	9.30
555-5120	-41-1 *	0.41mH	20	125	1000	10.3
555-5120	-49-1	0.49mH	20	125	1000	11.4
555-5120	-60-1 *	0.60mH	20	125	1000	13.0
555-5120	-73-1	0.73mH	20	125	1000	15.0
555-5120	-90-1	0.90mH	20	125	1000	17.0
555-5120	-11-2 *	1.08mH	20	125	1000	21.0
555-5120	-14-2	1.38mH	20	125	1000	22.0
555-5120	-16-2 *	1.62mH	20	125	600	25.7
555-5120	-19-2	1.97mH	20	125	400	29.2
555-5120	-24-2	2.38mH	22	125	400	41.0
550-5620	-29-2	2.89mH	25	125	400	44.6
550-5630	-34-2 *	3.44mH	25	125	400	69.8
550-5630	-42-2 *	4.15mH	25	125	350	76.2
550-5630	-49-2	4.91mH	25	125	350	87.2
550-5630	-60-2 *	6.00mH	25	125	350	99.0
550-5630	-72-2 *	7.20mH	25	125	330	130
550-5630	-74-2	7.36mH	25	125	300	141
550-5630	-90-2 *	9.00mH	22	125	300	310
550-5630	-11-3	10.8mH	20	125	300	340
550-5630	-14-3 *	13.5mH	20	125	300	360
550-5630	-16-3	16.2mH	20	125	300	364
550-5630	-20-3 *	19.8mH	20	125	300	462
550-5630	-24-3	23.8mH	20	125	300	510

Temperature Range: -55°C to +100°C
 Devices are RoHS compliant
 555-5120 and 550-5620 series are an over moulded construction
 550-5630 are covered with shrink sleeve

* All asterisked lines feature in the Engineers designer kit (10 off each part),
 part number 555-5120-00-00-00 moulded surface mount
 part number 550-5620-00-00-00 moulded through hole, axial
 part number 550-5630-00-00-00 sleeved through hole, axial